

Bus Timetable
Presidents' Day 2020



New York City Transit

SIM32

Express Service



Between
Travis, Staten Island,
and Downtown, Manhattan
(Peak Service)



If you think your bus operator deserves an Apple Award — our special recognition for service, courtesy and professionalism — call 511 and give us the badge or bus number.

Fares – MetroCard® is accepted for all MTA New York City trains (including Staten Island Railway - SIR), and, local, Limited-Stop and +SelectBusService buses (at MetroCard fare collection machines). Express buses only accept 7-Day Express Bus Plus MetroCard or Pay-Per-Ride MetroCard. All of our buses and +SelectBusService Coin Fare Collector machines accept exact fare in coins. Dollar bills, pennies, and half-dollar coins are not accepted.

Free Transfers – Unlimited Ride MetroCard permits free transfers to all but our express buses (between subway and local bus, local bus and local bus etc.) Pay-Per-Ride MetroCard allows one free transfer of equal or lesser value if you complete your transfer within two hours of the time you pay your full fare with the same MetroCard. If you pay your local bus fare with coins, ask for a free electronic paper transfer to use on another local bus.

Reduced-Fare Benefits – You are eligible for reduced-fare benefits if you are at least 65 years of age or have a qualifying disability. Benefits are available (except on peak-hour express buses) with proper identification, including Reduced-Fare MetroCard or Medicare card (*Medicaid cards do not qualify*).

Children – The subway, SIR, local, Limited-Stop, and +SelectBusService buses permit up to three children, 44 inches tall and under to ride free when accompanied by an adult paying full fare.

Terms and Conditions – Fares and MetroCard use are subject to applicable tariffs and conditions of use.

For More Information



**One MTA
One Number.**

Call 511 and just say MTA to get the information you need.

TTY/TDD users only 711

Online: www.mta.info

**IF YOU SEE
SOMETHING,
SAY
SOMETHING.**

**Be suspicious
of anything
unattended.**

Tell a cop, an MTA employee or call 1-888-692-7233 (1-888-NYC-SAFE).

Filing a Title VI Complaint – MTA New York City Transit (“NYC Transit”) is committed to providing non-discriminatory service to ensure that no person is excluded from participation in, or denied the benefits of, or subjected to discrimination in the receipt of its services on the basis of race, color or national origin as protected by Title VI of the Civil Rights Act of 1964 (“Title VI”).

To request more information about Title VI or to submit a written complaint if you believe that you have been subjected to discrimination, you may contact NYC Transit’s Office of Equal Employment Opportunity, 130 Livingston Street, 3rd Floor, Brooklyn, NY 11201.

In addition to your right to file a complaint with NYC Transit, you have the right to file a Title VI complaint with the U.S. Department of Transportation, Federal Transit Administration, Office of Civil Rights, Attention: Complaint Team, East Building 5th Floor – TCR, 1200 New Jersey Avenue SE, Washington, DC 20590.

SIM32 Special Schedule

From Travis, Staten Island to Downtown, Manhattan

Travis Victory Blvd/ Opp.Con Edison	Bulls Head Victory Blvd/ Richmnd Av	Manor Hts S Gannon Av/ Bradley Av	Manor Hts Schmidts La/ Slosson Av	Downtown Battery Pl/ Washngtn St	Downtown Church St/ Worth St
6:05	6:17	6:26	6:32	7:02	7:07
6:25	6:37	6:46	6:52	7:22	7:27
6:45	6:57	7:06	7:13	7:50	7:57
7:05	7:18	7:29	7:36	8:13	8:21
7:25	7:38	7:49	7:57	8:34	8:42
7:45	7:59	8:10	8:17	8:47	8:55
8:05	8:18	8:28	8:35	9:05	9:13
8:35	8:48	8:58	9:05	9:31	9:39

SIM32 Special Schedule

From Downtown, Manhattan to Travis, Staten Island

Downtown Broadway/ Warren St	Downtown Battery Pl/ Washngtn St	Castleton Corners Reon Av/ Henning St	Travis Victory Blvd/ Opp.Con Edison
3:55	4:06	4:29	4:51
4:25	4:37	5:00	5:22
4:45	4:57	5:20	5:42
5:05	5:16	5:39	6:01
5:25	5:36	5:59	6:21
5:50	6:01	6:24	6:46
6:15	6:25	6:48	7:10
6:45	6:55	7:18	7:40
7:05	7:13	7:35	7:57

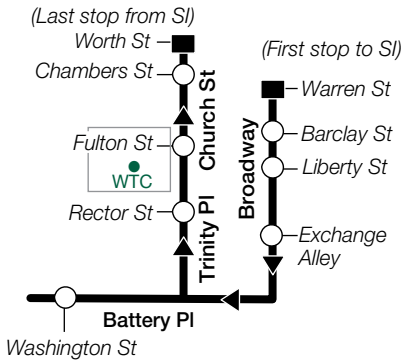
sim032-MA-H0-1/20/2020-6H2419---88-nw-Req-

Bold times denote PM hours.



Manhattan

Downtown Manhattan



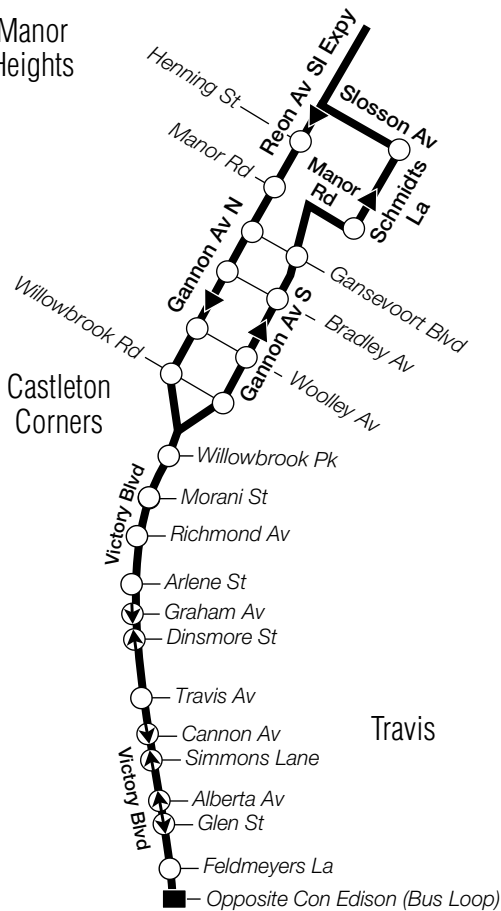
--- via Hugh L. Carey Tunnel,
and Verrazano-Narrows Bridge ---

Staten Island



--- via Verrazano-Narrows Bridge and Hugh L. Carey Tunnel

Manor Heights



SIM032a19077

SIM32 MAP LEGEND

■ Terminal

● Point of Interest

○ Express Stop

➔ Stops in direction indicated

For Accessible subway stations, travel directions and other information:

Call 511 or visit www.mta.info